

Autonics

TEMPERATURE CONTROLLER TD4LP SERIES

M A N U A L



Thank you very much for selecting Autonics products. For your safety, please read the following before using.

Caution for your safety

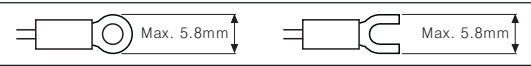
- Cautionary instructions regarding safety, including warnings about electrical shock and injury.

Warning

- Warning instructions detailing correct installation and use, including instructions to not disconnect or repair when power is on.

Caution

- Cautionary instructions regarding outdoor use, connection methods, and handling of the terminal block.



- Additional safety instructions regarding rated specifications, cleaning, and correct wiring methods.

Ordering information

Table for ordering information showing model code TD4LP-14R and its corresponding specifications.

Parts description

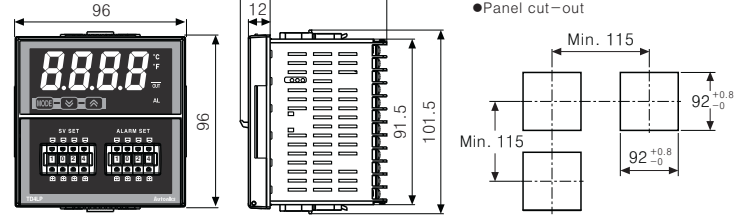
- Numbered parts list identifying the display, indicators, and control keys on the device.

Specifications

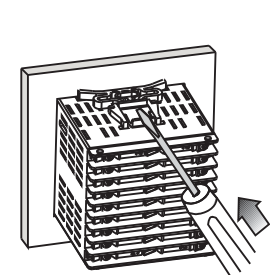
Main specifications table for the TD4LP series, covering power supply, accuracy, control methods, and environmental ratings.

Notes regarding accuracy and marking symbols for safety and environmental protection.

Dimensions

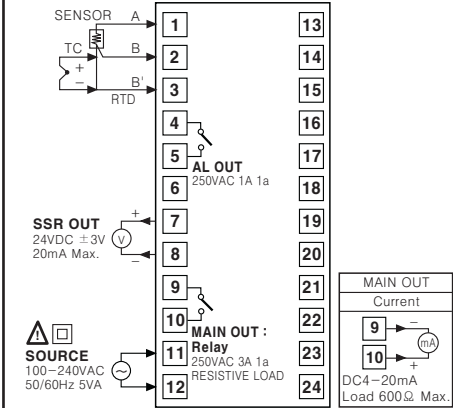


Product mounting



Instructions for mounting the controller into a panel.

Connections



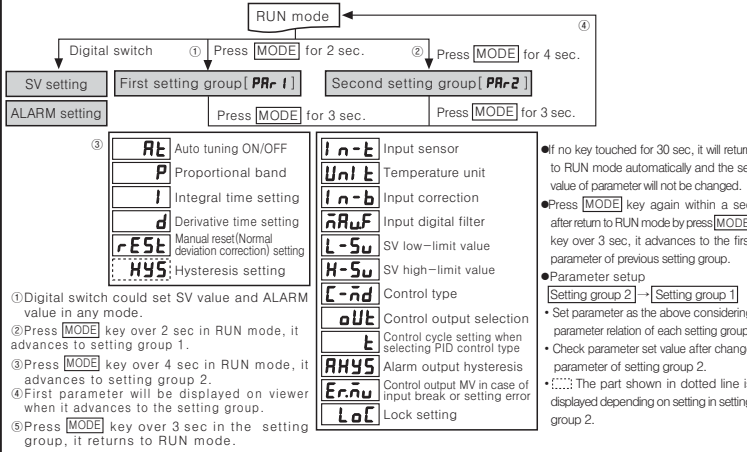
Input sensor and range

Table mapping input sensor types (ThermoCouple, RTD) to display codes and input ranges.

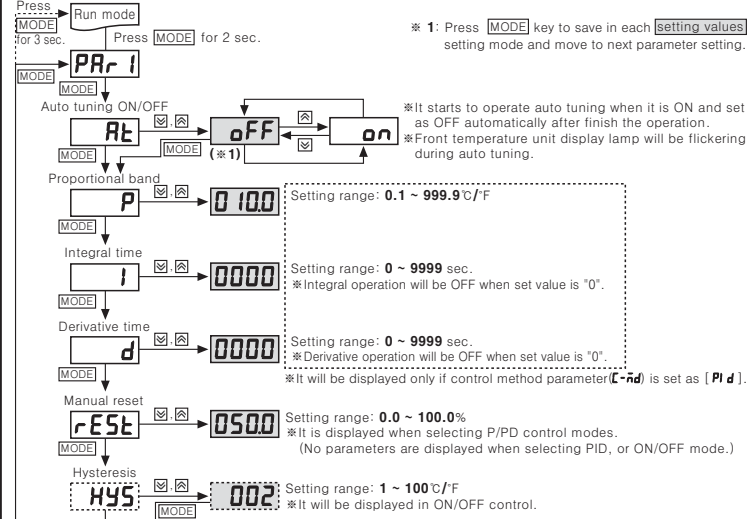
Factory default

Tables listing factory default settings for the first and second setting groups.

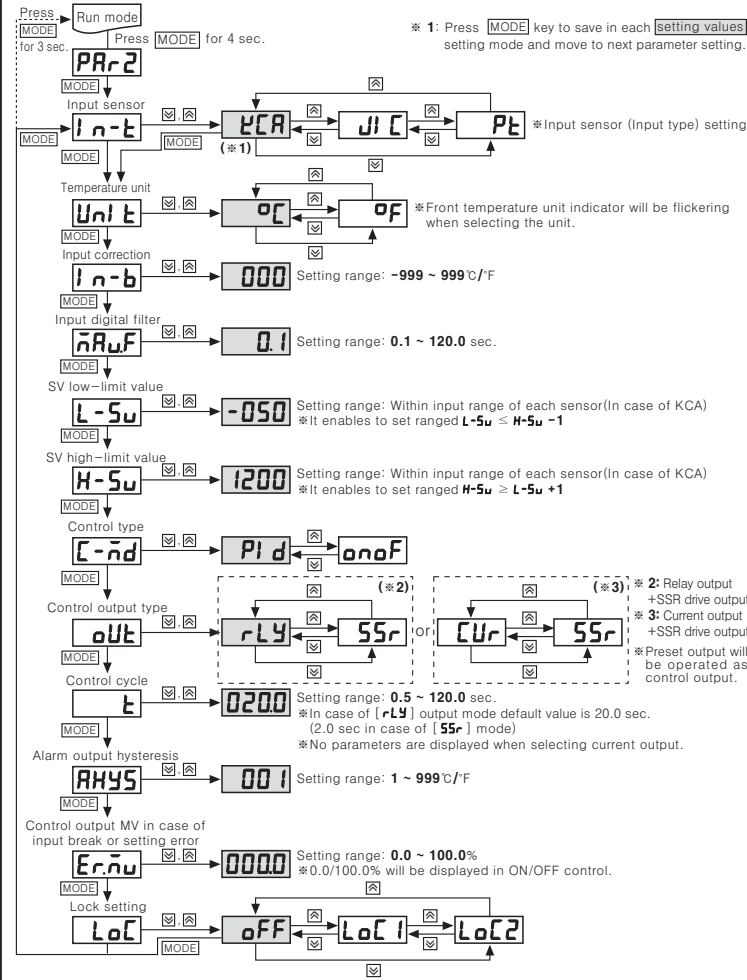
Flow chart for setting group



Flow chart for first setting group



Flow chart for second setting group



Auto tuning

- Instructions for enabling and disabling auto-tuning and its effects on the control loop.

Hysteresis

- Instructions for setting hysteresis to prevent output chattering.

Digital filter

- Instructions for enabling a digital filter to stabilize the PV display.

Alarm output function

- Instructions for configuring the alarm output when the PV reaches the setpoint.

SV High/Low Limit Setting

- Instructions for setting high and low limits for the setpoint (SV).

Control output selection

- Instructions for selecting the type of control output (Relay or SSR).

RUN/STOP function

- Instructions for using the RUN/STOP function key to manually control the process.

Control output MV for sensor break and setting error modes

- Instructions for setting the control output (MV) in error conditions.

Error

- Instructions for interpreting error codes that appear on the display.

Table of error codes (Er.Su, Er.AL, oPE n, HHHH, LLLL) and their descriptions.

Lock setting

- Instructions for enabling lock settings to prevent parameter changes.

Caution for using

- General cautionary instructions for installation and use, including environmental requirements.

Major products

- List of other Autonics products such as proximity sensors, photoelectric sensors, and pressure sensors.

Autonics Corporation logo, contact information, and a note about product improvement proposals.